

HOW TO OPERATE

1. The machines come from factory with a handle locking system (fig 9) (locker (3) not included).
To unlock, remove the locker and pull out the rod (1) (arrow A).
2. Once the bowl has been cleaned and sanitized, fill the mix tank with the desired liquid product (3 gallons maximum). Do not overfill the tank. **NOTE THAT WHEN READY, SLUSH OCCUPIES MORE VOLUME THAN THE LIQUID (approximately 3.5 gallons of slush for 3 gallons of liquid).**
3. If using natural products as a base (coffee, lemon juice, orange juice, etc.), it is required that 5 to 7 oz. of sugar per gallon be added. If using a concentrate, follow the mixing instructions from the supplier. In general the brix ratio (sugar content) of the product solution (liquid mix) should not be less than 11.

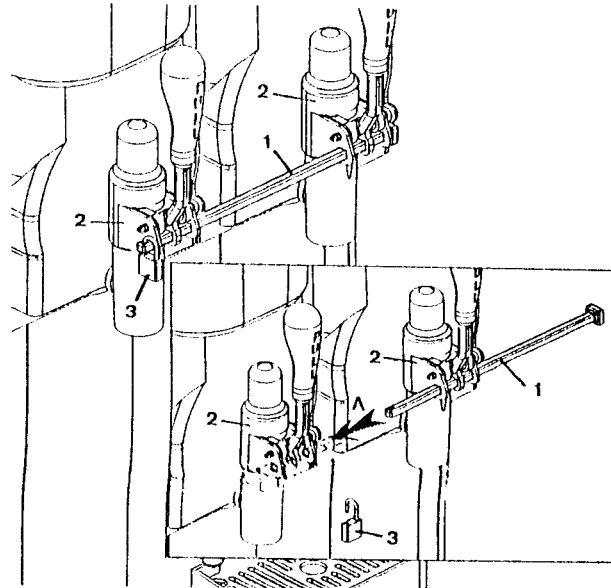


Figure 9

4. To access to switches and timer, open the switch panel cover by pushing on the side (arrow A) and pulling (arrow A') (Fig. 10).

To close the cover (arrow B'), push on the front (arrow B) until the clear plastic part (1) snaps closed (Fig. 11).

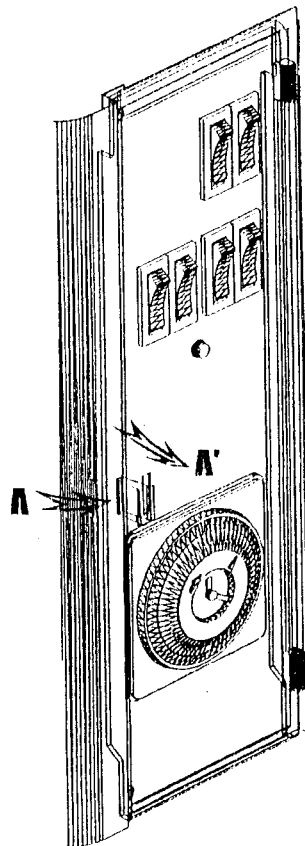


Figure 10

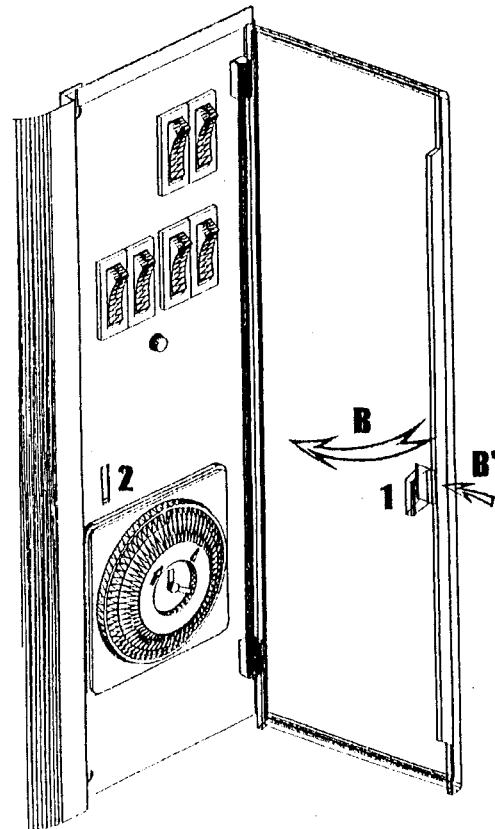


Figure 11

HOW TO OPERATE (cont'd)

4. To operate, press main power switch and agitator switch to ON position (Figure 12). **NOTE: The agitator switch must be to ON position before setting to liquid or slush mode.**

4.1 For slush, press the cooler switch to bottom position (II / *).

4.2 For liquid, press the cooler switch to up position (I / ▲). If the machine is being used as a liquid cooler, it is provided with an inside thermostat for controlling the liquid temperature.

Note that your machine is equipped with a time delay relay that provides for a four minute delay from the time of the initial start. This is to prevent the compressor from short cycling. Once the compressor is ON, the green light will be on.

Note: The cooler switch is a three position switch and in order to have the compressor off, all the cooler switches need to be in the middle position.

5. To illuminate the mix tank cover display on top of the unit and the product in the bowl press the display light switch to down position (I / ●).

CAUTION: IF THE MACHINE IS STOPPED AT NIGHT WITH ICE IN THE TANK, REMOVE ALL ICE SLABS BEFORE STARTING.

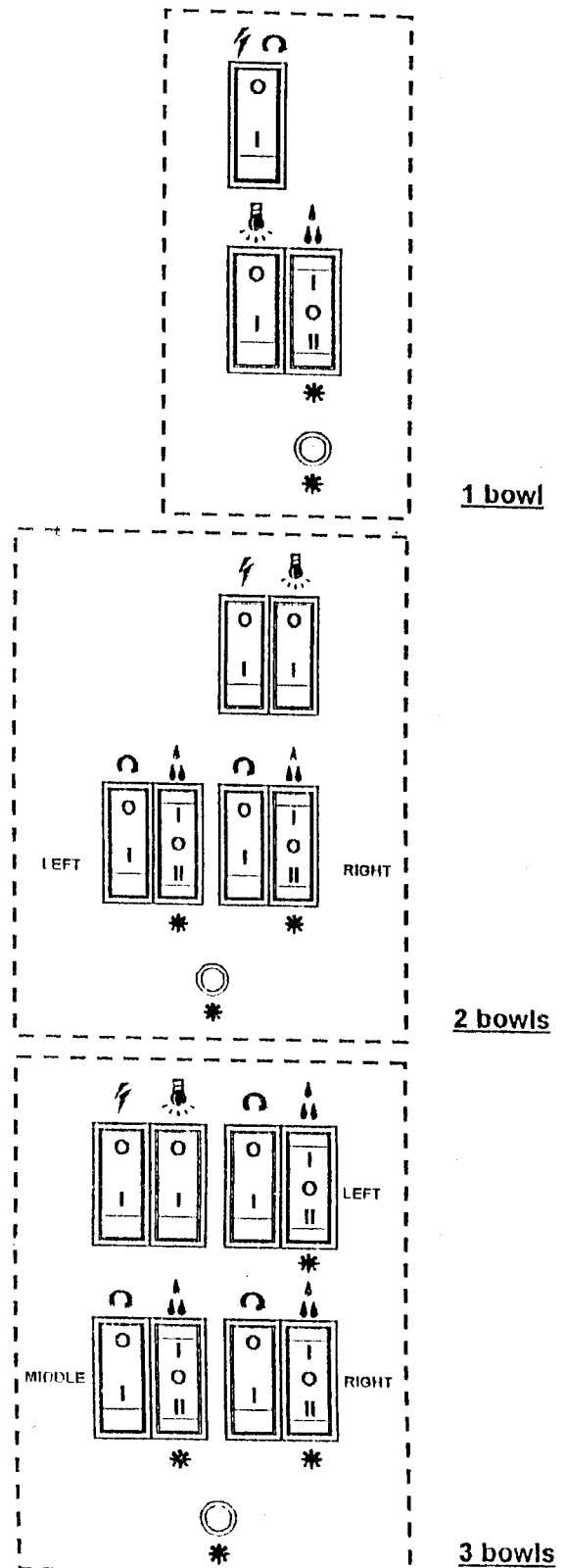


Figure 12

LIQUID DENSITY ADJUSTEMENT

To adjust the density/consistency of the slush there is an adjustment knob (Figure 13, #2) at the rear, right corner of the dispenser (#1).

Turn the knob right (clockwise) or left (counter clockwise) (arrow C and B) The consistency indicator (#4) will go up or down (arrow D and E)

To firm up the product, turn the set knob counter clockwise, which will move the indicator down to a higher number position

To soften / warm up the product, turn the set knob clockwise, which will move the indicator up to a lower number position

NOTE: when using a new product, or on initial start up, it is recommended that you set the consistency indicator to the lowest/warmest setting and increase as desired. Please note that the machines are pre-set at the factory at a medium setting (number 2.5)

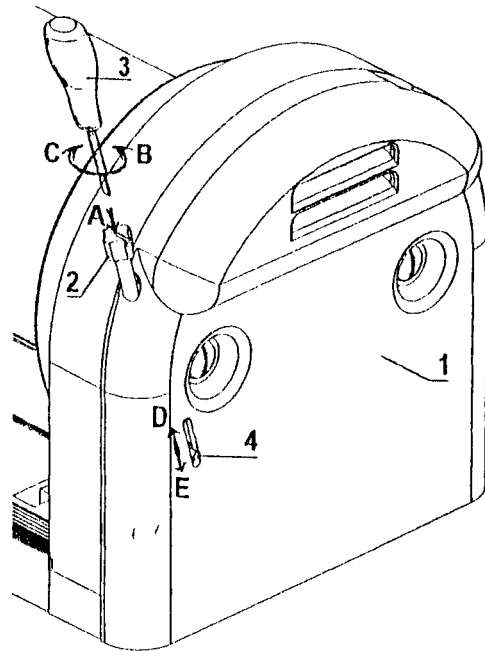


Figure 13

TANK WITH PADLOCK

Fitting the lid over the tank (Figure 14):

- 1° Slide the rim into the slot situated at the back of the tank. Lift slightly the front of the lid.
- 2° Lower the lid and fit onto the tank.
- 3° Insert the padlock into holes of the front rims of the tank and the lid. Close it.

Note:

- A. The lid can be turned back to front (reversible). Proceed as above.
- B. In order to take off the lid, the padlock must be opened and released; then follow the instructions in reverse order

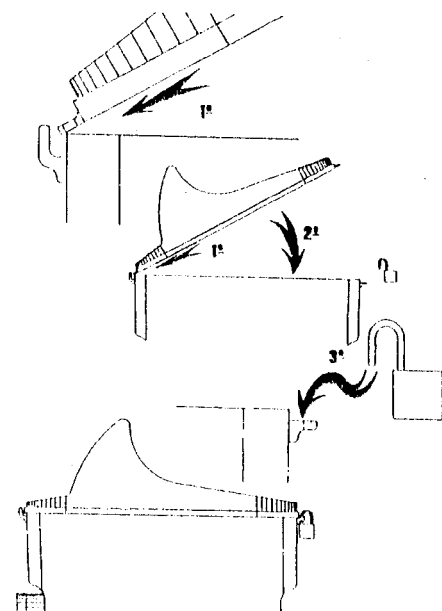


Figure 14